

WARNING PORTA-NAILER

Any piece of equipment can be dangerous if not operated properly. **YOU** are responsible for the safe operation of this equipment. The operator must carefully read and follow any warnings, safety signs and instructions provided with or located on the equipment. Do not remove, defeat, deface or render inoperable any of the safety devices or warnings on this equipment. If any safety devices or warnings have been removed, defeated, defaced or rendered inoperable, **DO NOT USE THIS EQUIPMENT!!!**

⚠ WARNING: This product can expose you to chemicals including Chromium from steel products which are known to the State of California to cause cancer and birth defects or other reproductive harm. For more information go to www.P65warnings.ca.gov

If the person receiving this handout will not be the user of the equipment, forward these instructions to the operator. **If there is any doubt as to the operation or safety of the equipment. DO NOT USE!!! CALL A TOOL SHED IMMEDIATELY!!! FAILURE TO FOLLOW THESE INSTRUCTIONS COULD RESULT IN INJURY OR DEATH**

SAFETY RULES FOR PORTA-NAILER

1. **ALWAYS WEAR SAFETY GLASSES** with side shields that are ANSI Z87.1 rated, and make sure others in the work area wear safety glasses, too.



2. **ALWAYS ASSUME THE NAILER CONTAINS FASTENERS.**

Never point the nailer at or toward yourself or others whether it contains fasteners or not. If fasteners are mistakenly driven, it can lead to severe injuries. Never engage in horseplay with the nailer. Respect the nailer as a working implement.

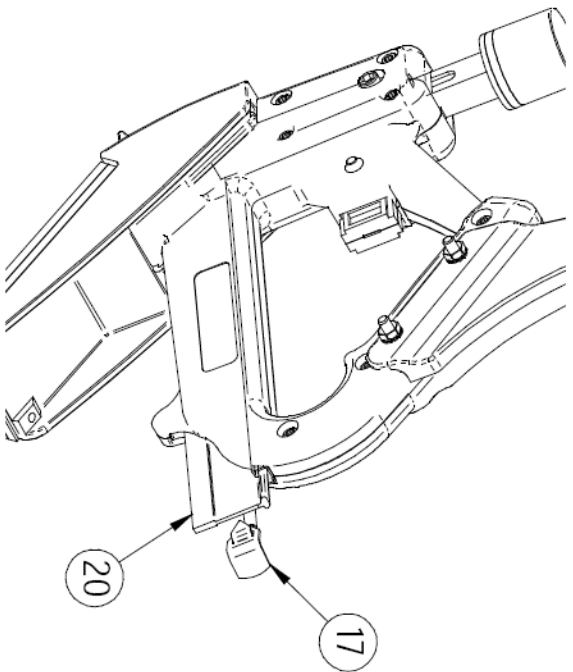
3. **DRESS PROPERLY.** Do not wear loose clothing or jewelry as they can be caught in moving parts. Leather gloves and nonskid Safety shoes for protection against foreign objects, should also be worn. Wear protective hair covering to contain long hair.
4. **KEEP WORK AREA CLEAN.** Cluttered areas invite injuries. Clear all work areas of unnecessary tools, debris, furniture, etc.
5. **KEEP ALL SCREWS AND COVERS TIGHTLY IN PLACE.** Keep all screws and covers tightly mounted. Check their condition periodically. Never use the nailer if parts are missing or damaged.
6. **DO NOT LOAD FASTENERS WHILE RAM CAP IS CONTACTED** When loading fasteners into the nailer: 1) Do not contact the ram cap. 2) Keep the nailer pointed downward and **ONLY USE** fasteners from Porta-Nails, Inc.
7. **KEEP FACE, HANDS AND FEET AWAY FROM DISCHARGE AREA DURING USE.** Never place your face, hands or feet closer than 8 inches from discharge area. A serious injury can result if the fasteners are deflected by the work piece, or are driven away from the point of entry.

- 8. PLACE NAILER PROPERLY ON WORKPIECE.** Do not drive fasteners on top of other fasteners or with the nailer too steep of an angle; the fasteners can ricochet and hurt someone.
- 9. DO NOT DRIVE FASTENERS INTO THIN BOARDS OR NEAR CORNERS AND EDGES OF WORKPIECE.** The fasteners can be driven through or away from the work piece and hit someone.
- 10. NEVER DRIVE FASTENERS FROM BOTH SIDES OF A WALL AT THE SAME TIME.** The fasteners can be driven into and through the wall and hit someone on the opposite side.
- 11. CHECK FOR LIVE WIRES.** Avoid the risk of severe electrical shock by checking for live electrical wires that may be hidden by walls, floors or ceilings. Turn off the breaker switch to ensure there are no live wires.
- 12. DO NOT OVERREACH.** Keep proper footing and balance at all times.
- 13. NEVER USE NAILER WHICH IS DEFECTIVE OR OPERATING ABNORMALLY.** If the nailer appears to be operating unusually, making strange noises, or otherwise appears defective, stop using it immediately and arrange for repairs by a Porta-Nails authorized service center.
- 14. STAY ALERT.** Watch what you are doing. Use common sense. Do not operate the nailer when you are tired. The nailer should never be used by you if you are under the influence of alcohol, drugs or medication that makes you drowsy.
- 15. HANDLE NAILER CORRECTLY.** Operate the nailer according to the Manual. Never allow the nailer to be operated by children, individuals unfamiliar with its operation or unauthorized personnel.
- 16. NEVER USE NAILER FOR APPLICATIONS OTHER THAN THOSE SPECIFIED IN THIS MANUAL.**
- 17. HANDLE NAILER CAREFULLY.** Do not drop the nailer or strike the nailer against hard surfaces; and do not scratch or engrave signs on the nailer. Handle the nailer carefully.
- 18. NEVER** use a Hammer with a loose head or splintered handle.

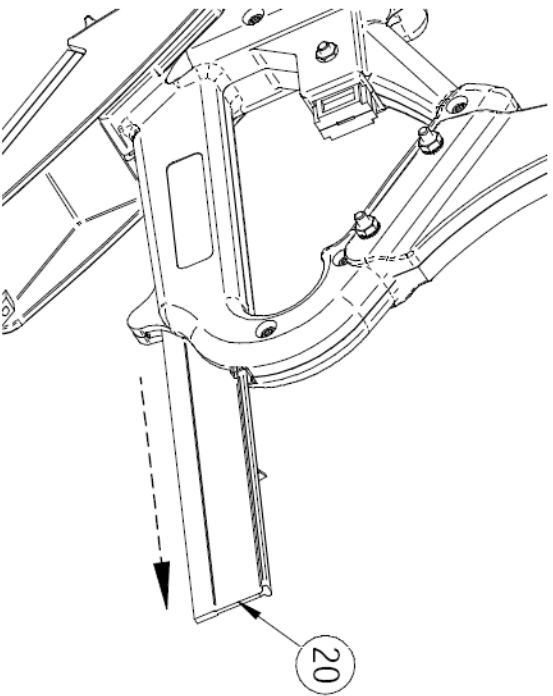
APPLICATIONS

- Your Model 402 Porta-Nailer is designed for Angle Nailing 5/8", 3/4"-33/32" Hardwood Tongue and Groove Flooring.
- An Accessory Shoe is available (Sold Separately) for Face Nailing.
- An Accessory Shoe is available (Sold Separately) for Angle Nailing 3/8" to 9/16" Flooring with the standard 2" Porta-Nail.
- An Accessory Angled Base is available (Sold Separately) for use with the 402 Nailer to nail 3/4" Hardwood Tongue and Groove Flooring over 3/4" Plywood over concrete.

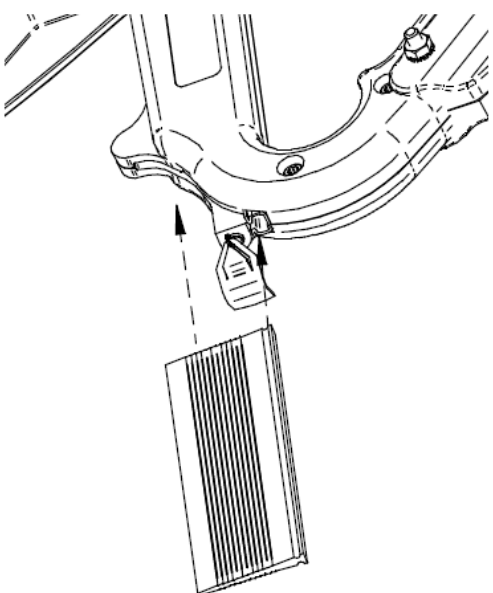
LOADING NAILS



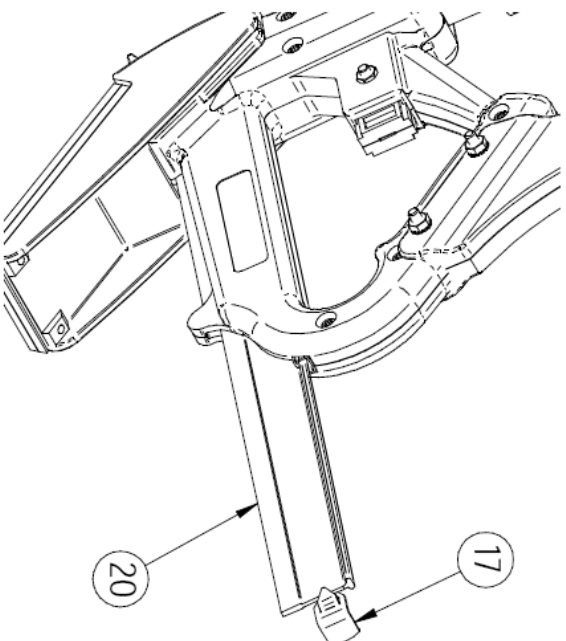
1. Unhook the Connector (Ref. No. 17) from the Pusher (Ref. No. 20).



2. Remove the Pusher (Ref. No. 20) from the Nail Rail.



3. Insert a stack of Nails into the Nail Rail with the Heads "up".



4. Place the Pusher (Ref. No. 20) in the Nail Rail and hook the Connector (Ref. No. 17) to the Pusher (Ref. No. 20).

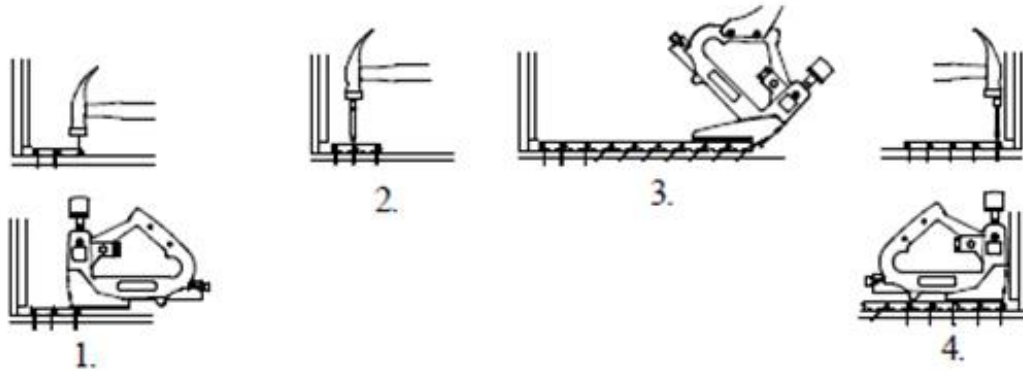
WARNING: For proper operation never use Nailer with less than a 2 inch stack of nails remaining in the Nail Rail.

NAILING TONGUE AND GROOVE FLOORING

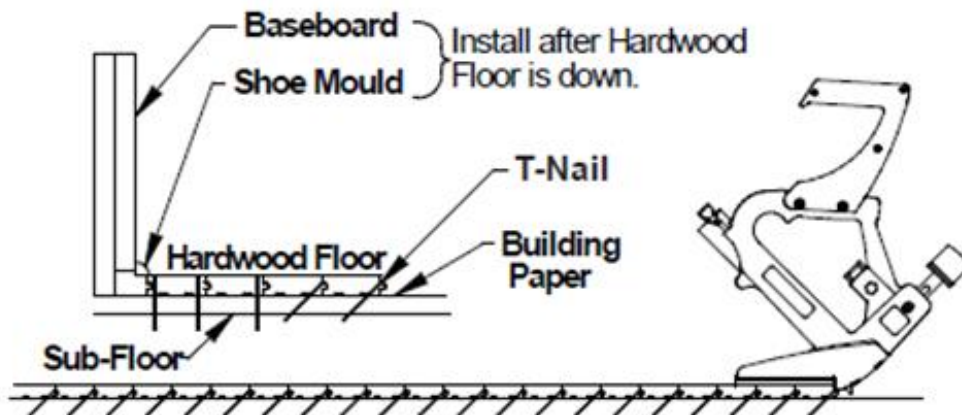
Your Model 402 Nailer is furnished with two (2) Shoe Bases (Ref. No. 5). When nailing 3/4" thick flooring, both of these bases are used. When nailing 33/32" thick flooring, only use one (1) Shoe Base (Ref. No. 5).

- 1.** Place the grooved edge of the first row of flooring towards the wall on the side of the room from which you are starting. Try and use the longer strips for your starting boards as this makes keeping the first course straight. Snapping a chalk line will help to keep the project straight. Face Nail the first strip close to the wall with a Face Nailer, 15 1/2 ga - Finish Nailer or by hand nailing using a #8 Finish Nail. The shoe molding should cover these starter nails. This first strip should also be blind nailed for optimum performance. Pre drilling thru the tongue is suggested when blind nailing by hand so as not to split the tongue
- 2.** Rows 2 and 3 will usually have to be blind nailed with a 16 ga Finish Nailer or by pre drilling a hole thru the floor and using a #8 Finish Nail. Make sure the nail is set flush to the wood.
- 3.** Now we are ready to use your Porta-Nail Floor Nailer on the floor. Make sure you know and understand the nailing schedule for the floor and have the correct fasteners for the tool you are using.
- 4.** Use and operate the tool following the instructions for safety and use of fasteners provided in the Flooring Tool owner's manual.
- 5.** Position the flooring tool along the tongue edge of the flooring. Always nail into the tongue side of the flooring. Flooring nails should not be used within 3" of the end of the strip. Each strip of flooring should have a least 2 fasteners in the wood. Use the chalk lines that mark the joist as a visual reminder not to nail on the joist. This will help to prevent driver blades from breaking by striking recessed subfloor nails.
- 6.** Test the nailer for proper nail placement in the nail groove of the flooring. Use of accessory shoes and or shims may be required for imported floors and Bamboo Floors.
- 7.** Tap the flooring into place with the non-marring rubber side of the mallet provided with the tool. Make sure the rubber end is in good shape and use caution to protect prefinished flooring. Consider using Blue Painters Tape to wrap the bottom shoe or plate of the Flooring Tool to reduce the risk of damaging the prefinished floor. Do not strike the face of the wood with the metal end of the hammer.
- 8.** Slide the nailer along the tongue of the board to the location at which you desire to drive the next nail. (8-10 inches as a general rule.)
- 9.** Make sure that all of the fasteners are flush and that you countersink any nail that has been hand driven before bringing the next board into place. Porta-Nails # 42620 Nail Set is a perfect way to set nails that require additional impact. Be careful to not drive one nail on top of another. Damage to the Flooring Tool's driver blade might result if this should occur.
- 10.** Continue until you have completely nailed the field of flooring. As you approach the wall, you will have to discontinue use of the Tongue Nailing Shoe and face or blind nail to finish out the floor.
- 11.** Porta-Nails' #47100 Porta Jack Pro Hardwood Flooring Jack is recommended to hold the last 4-5 strips of flooring tight and in place or to free up the operator's hands for blind nailing by hand or when using a 16 ga Finish Nailer.
- 12.** The last 1 to 2 rows of flooring may have to be surface nailed using a Face Nailer, 16 ga Finish Nailer or #8 finish nail. Make sure that you fill any nail holes prior to sanding or use a Colored Putty Stick matching the color of a prefinished floor.
- 13.** Your prefinished floors are now ready to use and your unfinished floors will of course now require Floor Sanding Equipment, Finishes and Supplies and finishing completing the project.

HARDWOOD FLOOR INSTALLATION MADE SIMPLE WITH THE **PORTA-NAILER**



1. Face Nail by hand or using the Porta-Nailer with the Face Nailing Shoe (Sold Separately) the first two courses, Tongue of Flooring toward the opposite wall.
2. Set face nails and hide with matching putty stick.
3. Blind Nail along the Tongue edge of the field of Flooring. Position a nail every 8" to 10". A minimum of 2 Nails per strip.
Note: Always follow the Flooring Manufacturer's Instructions regarding installation requirements.
4. At the opposite wall, Face Nail the remaining strips that measure less than 13-1/2" from the wall.



BRIEF INSTRUCTIONS FOR USE OF THE PORTA-NAILER SYSTEM

Always wear safety glasses AND safety shoes.

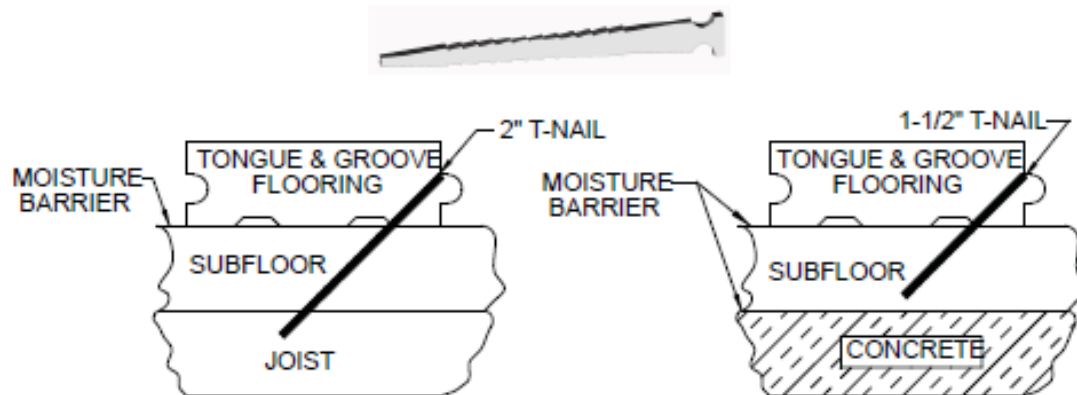
OPERATION FOR USE OF THE PORTA-NAILER SYSTEM

1. This tool is designed to properly seat the nail with one or SEVERAL blows of the Hammer.
2. Tap the flooring into place with the non-marring rubber side of the Hammer.
3. Strike the Rubber Cap of the Nailer with the iron side of the Hammer.

4. The first two strips of flooring and the last six (or strips that measure less than 13-1/2" from the wall) should be Face nailed with the Face Nailing Shoe installed on the Porta-Nailer or by hand.
5. The Porta-Nailer MUST be held firmly, but not over-tightly in the hand so that the Porta-Nailer rests perfectly flat on the floor with the lip of the shoe hanging over and against the edge of the strip being nailed. As an aid to holding it flat against the floor, rest the toe of your shoe on the rear of the Porta-Nailer Shoe.
6. DO NOT OVERPOWER THE PORTA-NAILER – Strike it firmly but NOT HARD, and then strike it again until the Ram returns. The Ram does not return until the nail is properly seated.
7. Do not attempt to nail the last six strips (or strips that measure less than 13-1/2" from the wall) of flooring down with the Angled Shoe installed. Switch and install the Face Nailing Shoe or face nail by hand.

The Porta-Nailer system is user-friendly and following these simple instructions, will insure a perfect hardwood flooring installation. Contact our Customer Service Dept. (800) 634-9281 if you encounter flooring which the Porta-Nailer does not properly position the fastener.

USE OF THE Porta-Nail



The Porta-Nail is 2" long and the PORTA-NAILER with the standard shoe drives the nail into the Tongue and Groove Flooring at a 45-degree angle. The orientation of the nail is as depicted in wood floor joist construction. In applications where Tongue and Groove Flooring is laid over concrete or Hydronic Heating Systems, the 1-1/2" or 1-3/16" Porta-Nail is used so that the Nail will not protrude through the sub-floor. Refer to the "Porta-Nail Application Chart" for proper Fastener usage. A Stainless Steel Porta-Nail 2" long is available for applications requiring a non-corrosive nail.