

WARNING 36 VOLT MAKITA CORDLESS LAWN MOWER

Any piece of equipment can be dangerous if not operated properly. **YOU** are responsible for the safe operation of this equipment. The operator must carefully read and follow any warnings, safety signs and instructions provided with or located on the equipment. Do not remove, defeat, deface or render inoperable any of the safety devices or warnings on this equipment. If any safety devices or warnings have been removed, defeated, defaced or rendered inoperable, **DO NOT USE THIS EQUIPMENT!!!**

⚠ WARNING: Lithium-ion Batteries and/or products that contain Lithium-ion Batteries can expose you to chemicals including cobalt lithium nickel oxide, and nickel, which are known to the State of California to cause cancer and birth defects or other reproductive harm. For more information, go to www.P65warnings.ca.gov

WARNING: Use of this product can create dust containing chemicals which may cause respiratory or other illnesses. Some examples of these chemicals are compounds found in pesticides, insecticides, fertilizers & herbicides. Your risk from these exposures varies, depending on how often you do this type of work. To reduce your exposure to these chemicals: work in a well-ventilated area, & work with approved safety equipment, such as those dust masks that are specially designed to filter out microscopic particles.

WARNING: When using electric lawn mowers, basic safety precautions should always be followed to reduce the risk of fire, electric shock, and personal injury.

Read, understand, and follow all instructions on the mower & in the instruction manuals. Be thoroughly familiar with the controls & the proper use of the mower before starting.

WARNING!

1. Avoid Dangerous Environment - Never operate the mower in damp or wet locations. Always be sure of your footing: keep a firm hold on the handle & walk; **never run**.
2. Do not Use in Rain.
3. Keep Children Away - All visitors should be kept a safe distance from work area. Be alert & turn mower off if a child enters the area. Use extra care when approaching blind corners, shrubs, trees, or other objects that may block your view of a child.
4. Dress Properly - Do not wear loose clothing or jewelry. They can be caught in moving parts. Use of rubber gloves & substantial footwear is recommended when working outdoors. Do not operate the mower when barefoot or wearing open sandals.
5. Use Safety Glasses- Always use face or dust mask if operation is dusty.
6. Use the Right Tool for the job - Do not use lawn mower for any job except that for which it is intended.
7. Do not Force Lawn Mower - It will do the job better & safer at the rate for which it was designed.
8. Do not Overreach - Keep proper footing & balance at all times. Do not mow near drop offs, ditches, or embankments. You could lose your footing or balance.
9. Stay Alert - Watch what you are doing. Use common sense. Do not operate lawn mower when you are tired. Do not operate machine while under the influence of alcohol or drugs. A moment of inattention while operating the mower may result in serious personal injury.

10. Disconnect Lawn Mower - Remove the batteries when not in use, before servicing, cleaning, removing material from the lawn mower, or changing accessories such as blades, and the like.
11. Store Idle Lawn Mower Indoors - When not in use, lawn mower should be stored in an indoor dry and locked-up place - out of reach of children.
12. Maintain Lawn Mower with Care - Keep handles dry, clean, & free from oil & grease.
13. Keep machine free of grass, leaves, or other debris build up. Keep guards in place & in working order.
14. Keep blades sharp.
15. Keep hands & feet away from cutting area. Keep clear of discharge opening at all times.
16. Objects struck by the lawn mower blade can cause severe injuries to persons. The lawn should always be carefully examined & cleared of all objects prior to each mowing. Stay behind the handle when the blade is in motion.
17. If the mower strikes a foreign object, follow these steps: • Stop the mower. Release the switch. Wait until the blade comes to a complete stop. • Remove the key & the battery cartridges. • Inspect the mower for any damage. • Repair any damage before restarting & operating the mower. Replace the blade if it is damaged in any way.
18. This cutting machine is capable of amputating hands & feet & throwing objects.
Failure to observe the following safety instructions could result in serious injury or death.
19. Only allow responsible adults, who are familiar with the instruction, to operate the mower.
20. Be sure the area is clear of people before mowing. Stop mower if anyone enters the area.
21. Never direct discharged material toward anyone. Avoid discharging material against a wall or obstruction. Material may ricochet back toward the operator. Stop the blade when crossing gravel or paved surfaces.
22. Do not pull the mower backwards unless absolutely necessary. When you are compelled to back the mower from a fence or other similar obstruction, look down & behind before & while moving backwards.
23. Release switch lever & wait for blade rotation to stop before crossing driveways, walks, roads & any gravel-covered areas. Also remove key if you leave it, reach to pick up or remove something out of your way, or for any other reason that may distract you from what you are doing.
24. Do not operate machine without the entire grass catcher, discharge guard, rear guard, or other safety protective devices in place & working.
25. Stop the motor & remove the key whenever you leave the equipment, before cleaning the mower or unclogging the chute & making any repairs or inspections.
26. Shut the motor off & wait until the blade comes to a complete stop before removing the grass catcher. Beware that the blade coasts after turning off.
27. Mow only in daylight or good artificial light.
28. If the equipment should start to vibrate unusually, stop the motor & check immediately for the cause. Vibration is generally a warning of trouble.
29. Do not insert key into mower until it is ready to be used.
30. Do not grasp the exposed cutting blades or cutting edges when picking up or holding the mower.
31. Check the blades carefully for cracks or damage before operation. Replace cracked or damaged blades immediately.

32. Never attempt to make wheel height adjustments while mower is running.
 33. Check the grass basket frequently for wear or deterioration.
 34. Check grass basket components & the discharge guard frequently & replace with manufacturer's recommended parts, when necessary.
 35. Mow across the face of slopes, never up & down. Exercise extreme caution when changing direction on slopes. Do not mow excessively steep slopes.
 36. Watch for holes, ruts, bumps, rocks, or other hidden objects. Uneven terrain could cause a slip and fall accident. Tall grass can hide obstacles.
 37. Do not mow on wet grass or excessively steep slopes. Poor footing could cause a slip & fall accident.
 38. Do not wash with a hose; avoid getting water in motor & electrical connections.
 39. Check the blade mounting bolt at frequent intervals for proper tightness.
 40. Keep all nuts, bolts, & screws tight to be sure the equipment is in safe working condition.
 41. Never remove or tamper with safety devices. Check their proper operation regularly.
Never do anything to interfere with the intended function of a safety device or to reduce the protection provided by a safety device.
 42. Maintain or replace safety & instruction labels, as necessary.
 43. **Battery tool use & care** • Recharge only with the charger specified by the manufacturer. A charger that is suitable for one type of battery cartridge may create a risk of fire when used with another battery cartridge. • Do not charge lawn mower in rain, or in wet locations. • When replacing batteries, all batteries should be replaced at the same time. Mixing fresh & discharged batteries could increase internal cell pressure & rupture the discharged battery.
- **Use power tools only with specifically designated battery cartridges.** Use of any other battery cartridges may create a risk of injury & fire.
 - **When battery cartridge is not in use, keep it away from other metal objects, like paper clips, coins, keys, nails, screws, or other small metal objects that can make a connection from one terminal to another.** Shorting the battery terminals together may cause burns or fire.
 - **Under abusive conditions, liquid may be ejected from the battery; avoid contact. If contact accidentally occurs, flush with water. If liquid contacts eyes, additionally seek medical help.** Liquid ejected from the battery may cause irritation or burns.

If the person receiving this handout will not be the user of the equipment, forward these instructions to the operator. If there is any doubt as to the operation or safety of the equipment, **DO NOT USE!! CALL A TOOL SHED IMMEDIATELY!!! FAILURE TO FOLLOW THESE INSTRUCTIONS COULD RESULT IN INJURY OR DEATH.**

Symbols

The followings show the symbols used for tool.

v	volts
— — —	direct current
n ₀	no load speed
— /min r /min	revolutions or reciprocation per minute

Important safety instructions for battery cartridge

1. Before using battery cartridge, read all instructions and cautionary markings on (1) battery charger, (2) battery, and (3) product using battery.
2. Do not disassemble battery cartridge.
3. If operating time has become excessively shorter, stop operating immediately. It may result in a risk of overheating, possible burns and even an explosion.
4. If electrolyte gets into your eyes, rinse them out with clear water and seek medical attention right away. It may result in loss of your eyesight.
5. Do not short the battery cartridge:
 - (1) Do not touch the terminals with any conductive material.
 - (2) Avoid storing battery cartridge in a container with other metal objects such as nails, coins, etc.
 - (3) Do not expose battery cartridge to water or rain.

A battery short can cause a large current flow, overheating, possible burns and even a breakdown.
6. Do not store the tool and battery cartridge in locations where the temperature may reach or exceed 50 °C (122 °F).
7. Do not incinerate the battery cartridge even if it is severely damaged or is completely worn out. The battery cartridge can explode in a fire.
8. Be careful not to drop or strike battery.
9. Do not use a damaged battery.
10. Follow your local regulations relating to disposal of battery.

SAVE THESE INSTRUCTIONS.

CAUTION: Only use genuine Makita batteries. Use of non-genuine Makita batteries, or batteries that have been altered, may result in the battery bursting causing fires, personal injury and damage. It will also void the Makita warranty for the Makita tool and charger.

Tips for maintaining maximum battery life

1. Charge the battery cartridge before completely discharged. Always stop tool operation and charge the battery cartridge when you notice less tool power.
2. Never recharge a fully charged battery cartridge. Overcharging shortens the battery service life.
3. Charge the battery cartridge with room temperature at 10 °C - 40 °C (50 °F - 104 °F). Let a hot battery cartridge cool down before charging it.
4. Charge the battery cartridge if you do not use it for a long period (more than six months).

FUNCTIONAL DESCRIPTION

Installing or removing battery cartridge

CAUTION: Always switch off the tool before installing or removing of the battery cartridge.

CAUTION: Make sure that you lock the battery cover before use. Otherwise, mud, dirt, or water may cause damage to the product or the battery cartridge.

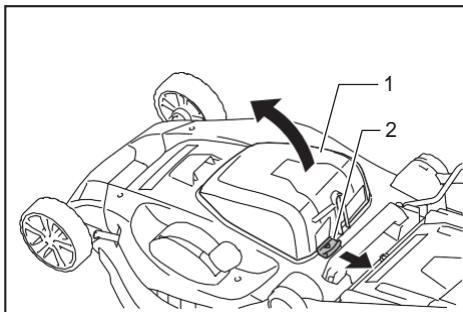
CAUTION: Always install the battery cartridge fully until the red indicator cannot be seen. If not, it may accidentally fall out of the tool, causing injury to you or someone around you.

CAUTION: Do not install the battery cartridge forcibly. If the cartridge does not slide in easily, it is not being inserted correctly.

NOTE: The tool does not work with only one battery cartridge.

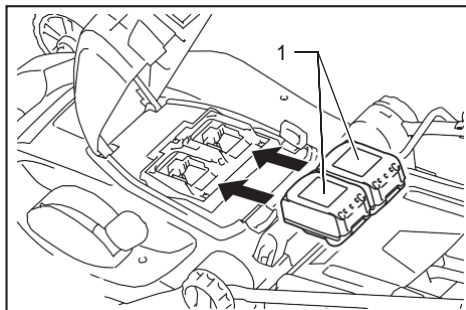
To install the battery cartridge;

1. Slide the battery cover locking lever and open the battery cover.



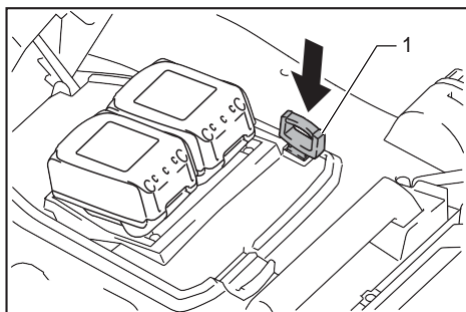
1. Battery cover 2. Battery cover locking lever

- Align the tongue on the battery cartridge with the slot on the mower then slide the cartridge until it locks in place with a little click. If you can see the red indicator on the upper side of the button, battery cartridge is not locked completely.



1. Battery cartridge

- Insert the lock key in the place shown in the figure as far as it will go.



1. Lock key

- Close the battery cover and push it until it is latched with the locking lever.

To remove the battery cartridge from the mower;

- Slide the battery cover locking lever and open the battery cover.
- Pull out the battery cartridge from the mower while sliding the button on the front of the cartridge.
- Pull out the lock key.
- Close the battery cover.

Tool/battery protection system

The tool is equipped with a tool/battery protection system. This system automatically cuts off power to the motor to extend tool and battery life. The tool will automatically stop during operation if the tool or battery is placed under one of the following conditions.

Overload protection

When the tool is operated in a manner that causes it to draw an abnormally high current, the tool automatically stops without any indication. In this situation, turn the tool off and stop the application that caused the tool to become overloaded. Then turn the tool on to restart.

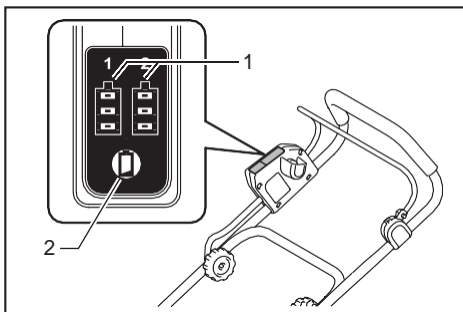
Overheat protection

When the tool is overheated, the tool stops automatically. Let the tool cool down before turning the tool on again.

Overdischarge protection

When the battery capacity becomes low, the tool stops automatically. If the product does not operate even when the switches are operated, remove the batteries from the tool and charge the batteries.

Indicating the remaining battery capacity



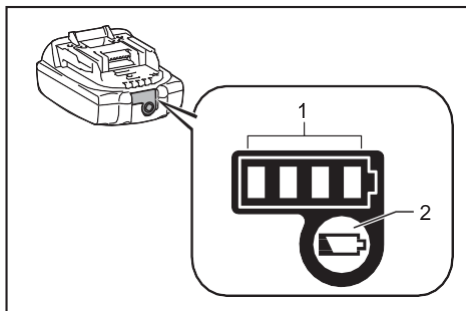
1. Battery indicator 2. Check button

Press the check button to indicate the remaining battery capacities. The battery indicators correspond to each battery.

Battery indicator status		Remaining battery capacity
On	Off	
		50% - 100%
		20% - 50%
		0% - 20%

Indicating the remaining battery capacity

Only for battery cartridges with "B" at the end of the model number



1. Indicator lamps 2. Check button

Press the check button on the battery cartridge to indicate the remaining battery capacity. The indicator lamps light up for few seconds.

Indicator lamps			Remaining capacity
Lighted	Off	Blinking	
■ ■ ■ ■	□ □ □ □	▧	75% to 100%
■ ■ ■	■ ■ ■	▧	50% to 75%
■ ■	■ ■	▧	25% to 50%
■	■	▧	0% to 25%
▧			Charge the battery.
▧	■		The battery may have malfunctioned.
□ □	□ □		

NOTE: Depending on the conditions of use and the ambient temperature, the indication may differ slightly from the actual capacity.

Switch action

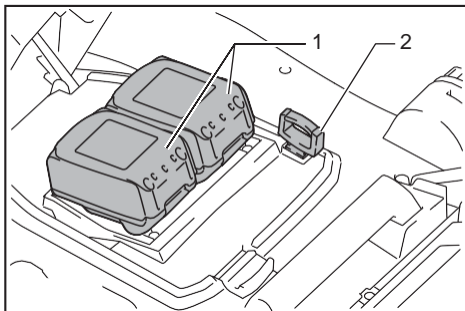
⚠ WARNING: Before installing the battery cartridge, always check to see that the switch lever actuates properly and returns to the original position when released. Operating a tool with a switch that does not actuate properly can lead to loss of control and serious personal injury.

NOTE: The mower does not start without pressing the switch button even the switch lever is pulled.

NOTE: Mower may not start due to the overload when you try to mow long or dense grass at a time. Increase the mowing height in this case.

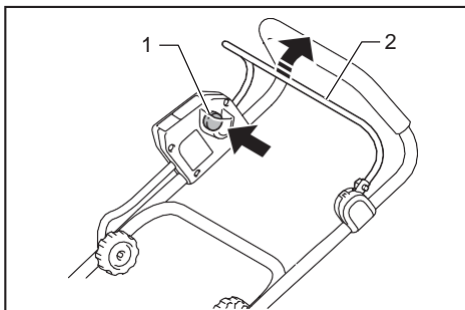
This mower is equipped with the interlock switch and handle switch. If you notice anything unusual with either of these switches, stop operation immediately and have them checked by your nearest Makita Authorized Service Center.

1. Install the battery cartridges. Insert the lock key into the interlock switch and then close the battery cover.



1. Battery cartridge 2. Lock key

2. Press the switch button and hold it.
3. Grab the upper handle and pull the switch lever.



1. Switch button 2. Switch lever

4. Release the switch button as soon as the motor starts running. The mower will continue to run until you release the switch lever.
5. Release the switch lever to stop the motor.

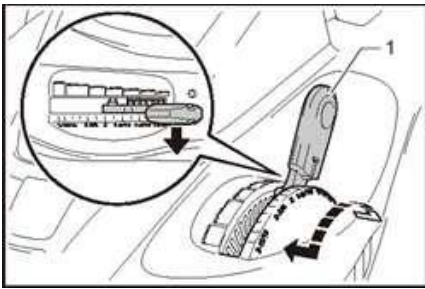
Adjusting the mowing height

⚠ WARNING: Never put your hand or leg under the mower body when adjusting the mowing height.

⚠ WARNING: Always make sure that the lever fits in the groove properly before operation.

The mowing height can be adjusted in the range of between 20 mm (13/16") - 75 mm (2-15/16").

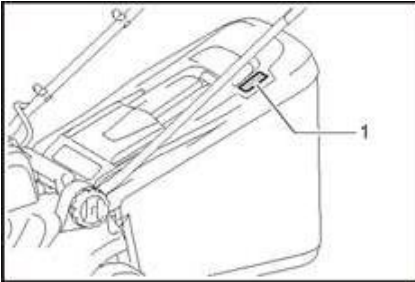
1. Remove the lock key.
2. Pull the mowing height adjusting lever to the outward of the mower body and move it to your desired mowing height.



1. Mowing height adjusting lever.

NOTE: The mowing height figures should be used just as a guideline. Depending on the conditions of the lawn or the ground, the actual lawn height may become slightly different from the set height.

NOTE: Try a test mowing of grass in a less conspicuous place to get your desired height.

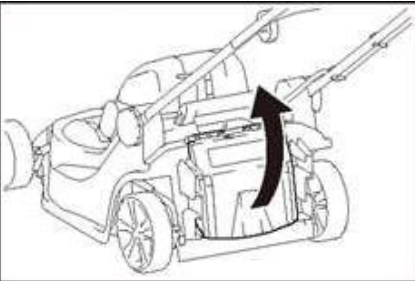


Grass level indicator

Grass level indicator shows the volume of mowed grass.

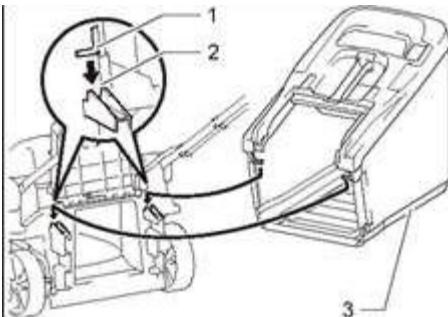
- When the grass basket is not full, the indicator floats during mowing.
 - When the grass basket is full, the indicator does not float during mowing.
- In this case, stop mowing immediately and empty the basket. After emptying the basket, clean it so that its meshwork vents the air.

NOTE: This indicator is a rough guide. Depending on the conditions of the inside of the basket, this indicator may not work properly.



Installing the grass basket

1. Remove the lock key.
2. Lift the rear guard of the mower body.
3. Hook the grass basket on the groove of the mower body as shown in the figure, at left below.



1. Hook
2. Groove
3. Grass basket

OPERATION

Before mowing, clear away sticks, and stones from mowing area.

Furthermore, clear away any weeds from mowing area in advance.

Always wear the safety goggles or safety glasses with side shields when operating the mower.

Firmly hold the lawn mower handle with both hands when mowing. The outside edges of the front wheels are the guideline for mowing width.

Using the two-front wheel outside edges as a guideline, mow in strips, overlapping by one half to one third the previous strip, to mow the lawn evenly. Periodically check the grass basket for mowed grass. Empty the grass before it becomes full. Before every periodical check, be sure to stop the mower then remove the lock key and the battery cartridge.



NOTE: Using the mower with the grass basket full prevents smooth blade rotation and places an extra load on the motor, which may cause a breakdown.

MOWING TALL GRASS. Do not try to cut long grass all in one go. Instead, mow the lawn in some steps. Leave a day or two between mowing until the lawn becomes evenly short.

NOTE: Mowing long grass to a short length all in one go may cause the grass to die. The cut grass may also block up inside of the mower body. **CLEANING:** Clean the mower using only a wet cloth. **Do not spray or pour water on the mower when cleaning.** Put the mower on its side and clean grass clippings accumulated on the underside of mower deck.